

4

3

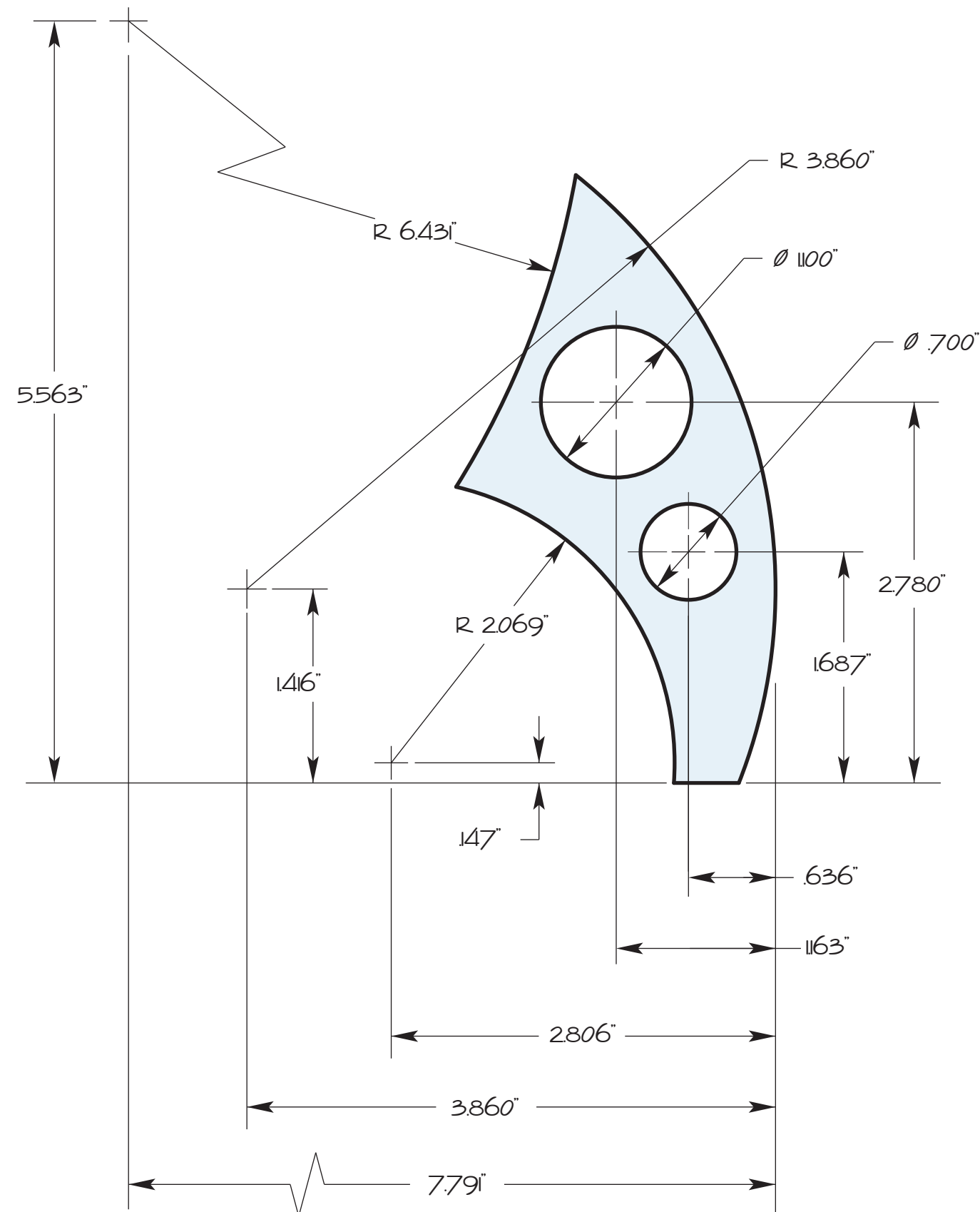
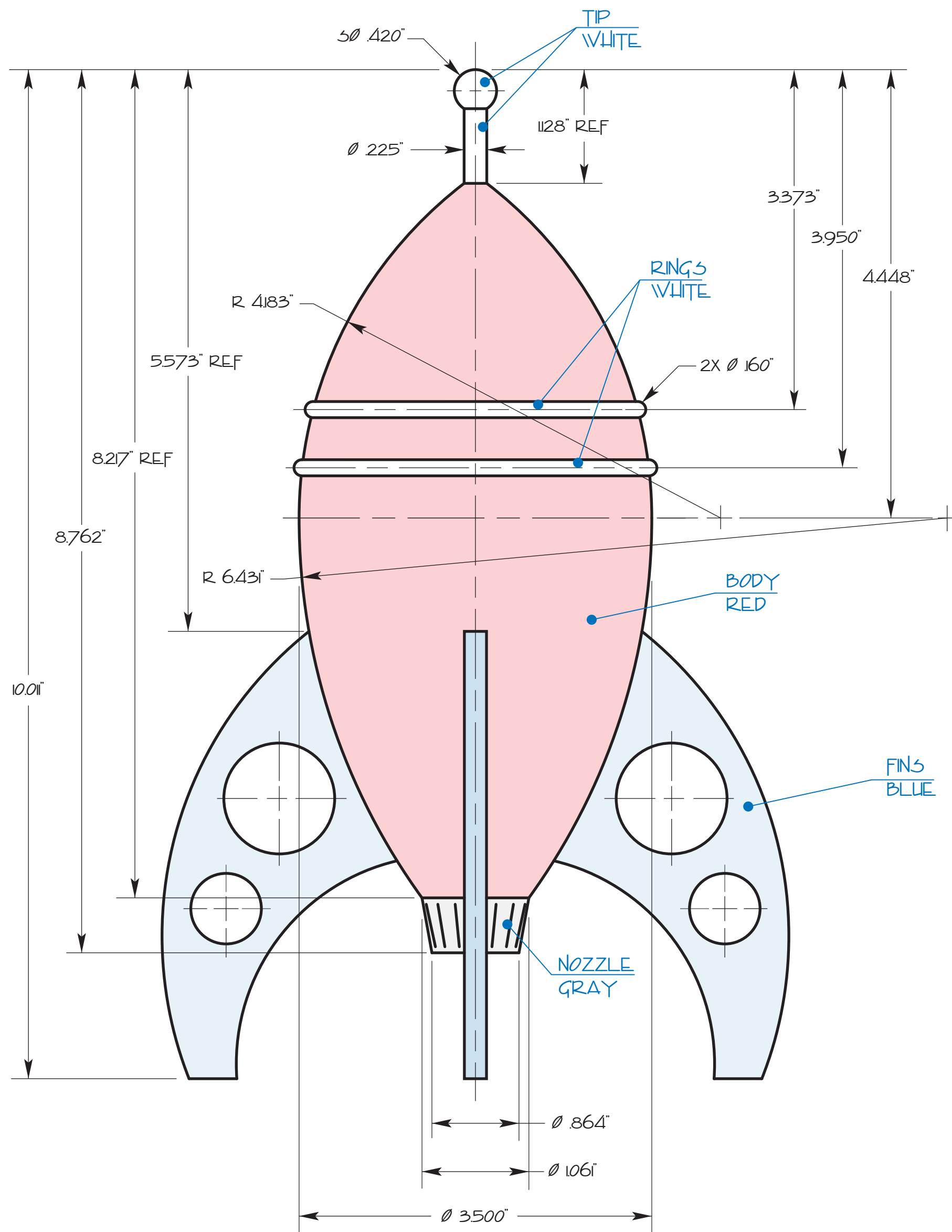
2

1

NOTES:

- 1. BUILDER ASSUMES ALL RESPONSIBILITY TO ASSURE STABLE AND SAFE FLIGHT.
- 2. DIMENSIONS ON DRAWING ARE SCALED FOR A Ø 3500" BODY. UPSCALING OR DOWNSCALING PROPERLY IS THE RESPONSIBILITY OF THE BUILDER.
- 3. BUILDER ASSUMES ALL RESPONSIBILITY FOR CHOICES OF BUILDING MATERIALS AND TECHNIQUES.
- 4. HEY, I JUST DREW IT - YOU HAVE TO MAKE IT FLY.

REVISIONS				
ZONE	LTR	DESCRIPTION	DATE (YR MO DA)	APPROVED



FIN DETAIL
4 REQUIRED

DO NOT SCALE DRAWING
UNLESS OTHERWISE SPECIFIED
DIMENSIONS ARE IN INCHES
TOLERANCE ON

X.X ±	X.XXX ±
X.XX ±	ANG ±

THIRD ANGLE PROJECTION

MASA LOGO ROCKET



SIZE	DRAWN BY	DATE	SCALE
C	JEFF TAYLOR	29 APRIL 2008	1/1